

*NOTE: SPECIFY NOZZLE NUMBER

*DIFFUSER/BARBS CUT



PROPRIETARY AND CONFIDENTIAL
 THE INFORMATION CONTAINED
 IN THIS DRAWING IS THE SOLE
 PROPERTY OF CHEMICAL
 INJECTION TECHNOLOGIES INC.
 ANY REPRODUCTION IN PART OR
 AS A WHOLE WITHOUT THE WRITTEN
 PERMISSION OF CHEMICAL
 INJECTION TECHNOLOGIES INC. IS
 PROHIBITED.

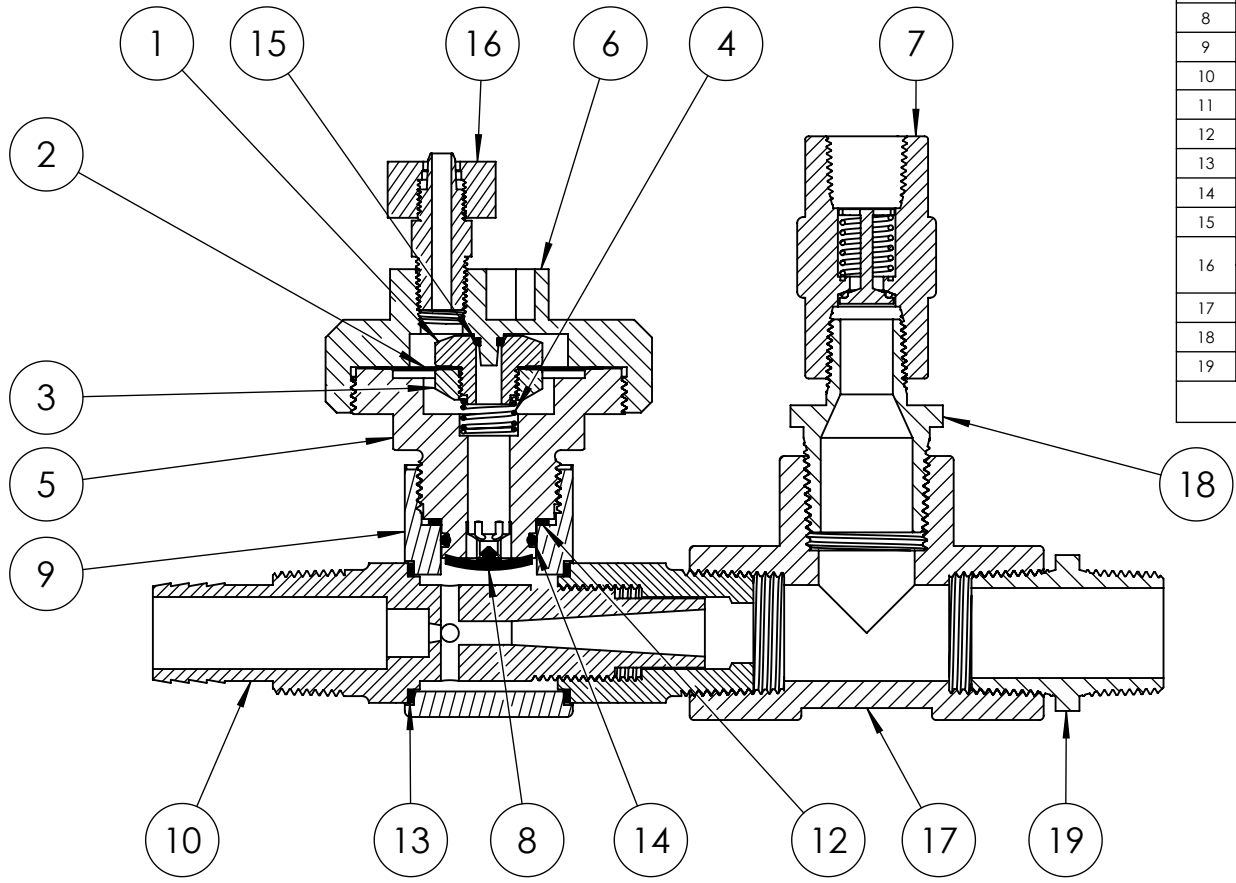
EJ-1/2AS PARTS LIST

ANTI-SIPHON EJECTOR
 HI/LOW PRESSURE - TO 250 PPD [5 KG/HR]

REVISION: 1	REVISION DATE: 2/14/2021
SCALE: 1:3	SHEET 1 OF 2

ITEM NO.	PART NUMBER	DESCRIPTION	QTY.
1	CV-103	LOW PRESSURE CHECK VALVE DIAPHRAGM BOLT	1
2	CV-104	LOW PRESSURE CHECK VALVE DIAPHRAGM	1
3	CV-105	LOW PRESSURE CHECK VALVE DIAPHRAGM NUT	1
4	CV-106	LOW PRESSURE CHECK VALVE SPRING	1
5	CV-110	HI/LOW PRESSURE CHECK VALVE SEAT (OUTLET)	1
6	CV-111	HI/LOW PRESSURE CHECK VALVE INLET BODY	1
7	CV-142	ANTI-SIPHON VALVE	1
8	CV-150	HIGH PRESSURE EJECTOR CHECK VALVE	1
9	EJ-110	EJECTOR BODY	1
10	EJ-130-*	NOZZLE - NO. 2 TO 8 (STEPPED DESIGN)	1
11	EJ-150	STANDARD EJECTOR DIFFUSER [CUT]	1
12	GK-120	CHECK VALVE BODY GASKET	1
13	GK-125	EJECTOR BODY GASKET	2
14	OR-105	HI-PRESSURE CHECK VALVE SEAT O-RING	1
15	OR-114	LOW PRESSURE CHECK VALVE SEAT O-RING	1
16	TU-150	3/8" VACUUM TUBE FITTING 100 PPD (2000 GR/HR)	1
	TU-250	1/2" VACUUM TUBE FITTING 250 PPD (5 KG/HR)	1
17	TU-175	SCH80 TEE	1
18	TU-176	SCH80 REDUCING NIPPLE	1
19	TU-177	SOLUTION MALE OUTLET (OPTIONAL)	1

*NOTE: SPECIFY NOZZLE NUMBER



PROPRIETARY AND CONFIDENTIAL
 THE INFORMATION CONTAINED
 IN THIS DRAWING IS THE SOLE
 PROPERTY OF CHEMICAL
 INJECTION TECHNOLOGIES INC.
 ANY REPRODUCTION IN PART OR
 AS A WHOLE WITHOUT THE WRITTEN
 PERMISSION OF CHEMICAL
 INJECTION TECHNOLOGIES INC. IS
 PROHIBITED.

EJ-1/2AS PARTS LIST
 ANTI-SIPHON EJECTOR
 HI/LOW PRESSURE - TO 250 PPD [5 KG/HR]

REVISION: 1 REVISION DATE: 2/14/2021
 SCALE: 1:2 SHEET 2 OF 2