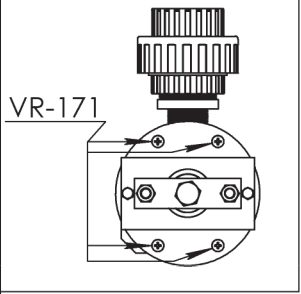
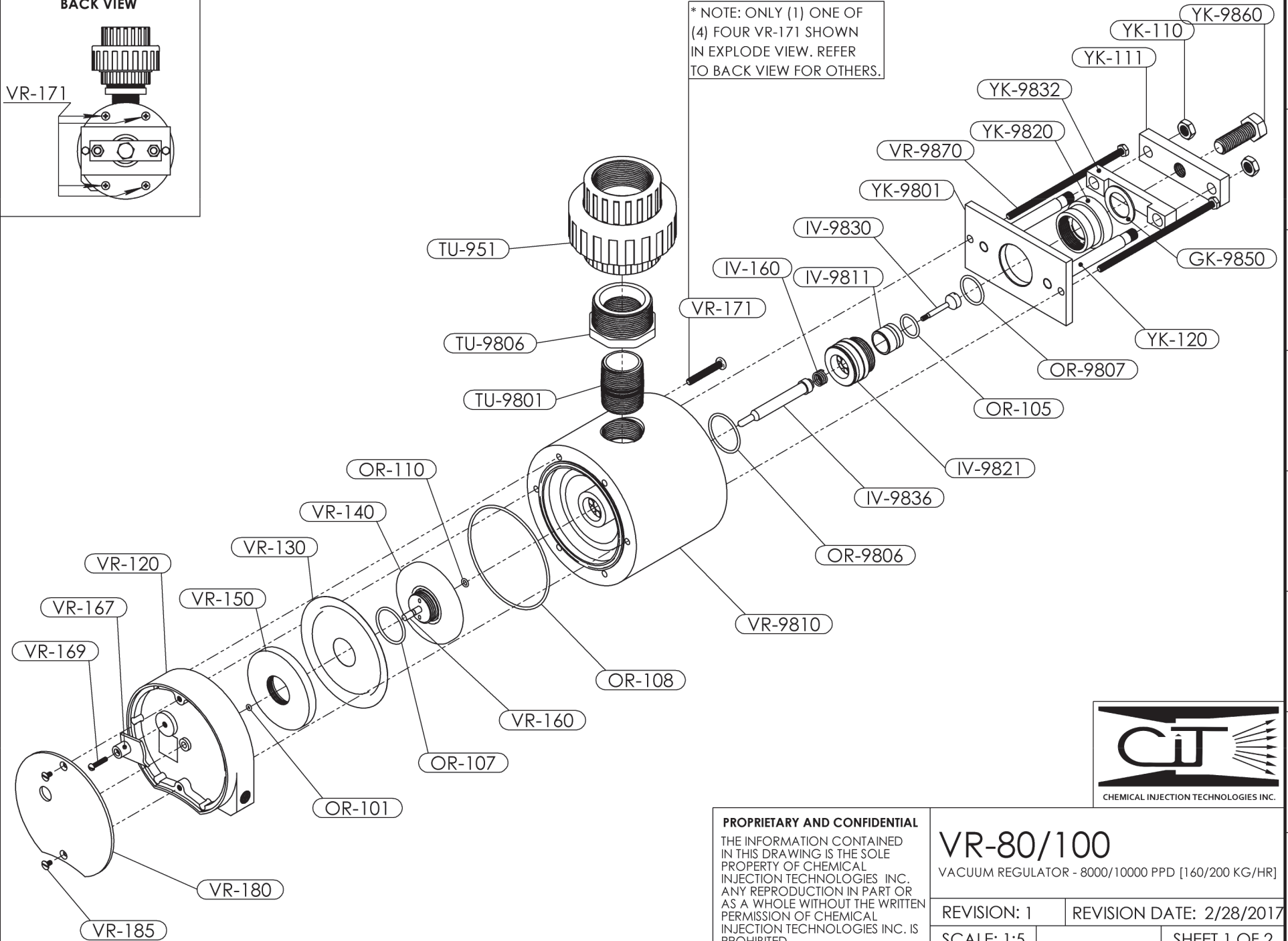


**BACK VIEW**



\* NOTE: ONLY (1) ONE OF (4) FOUR VR-171 SHOWN IN EXPLODE VIEW. REFER TO BACK VIEW FOR OTHERS.



**PROPRIETARY AND CONFIDENTIAL**

THE INFORMATION CONTAINED IN THIS DRAWING IS THE SOLE PROPERTY OF CHEMICAL INJECTION TECHNOLOGIES INC. ANY REPRODUCTION IN PART OR AS A WHOLE WITHOUT THE WRITTEN PERMISSION OF CHEMICAL INJECTION TECHNOLOGIES INC. IS PROHIBITED.

**VR-80/100**

VACUUM REGULATOR - 8000/10000 PPD [160/200 KG/HR]

REVISION: 1

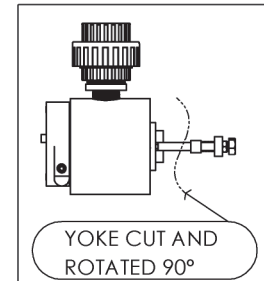
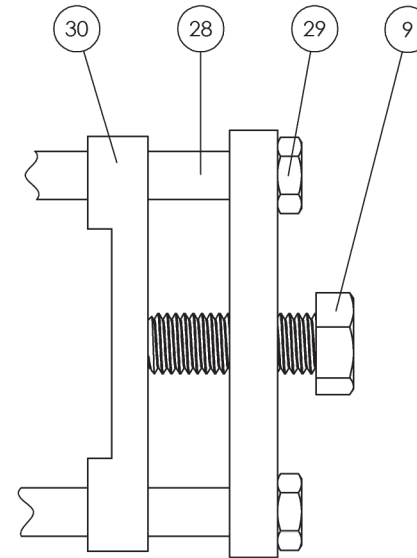
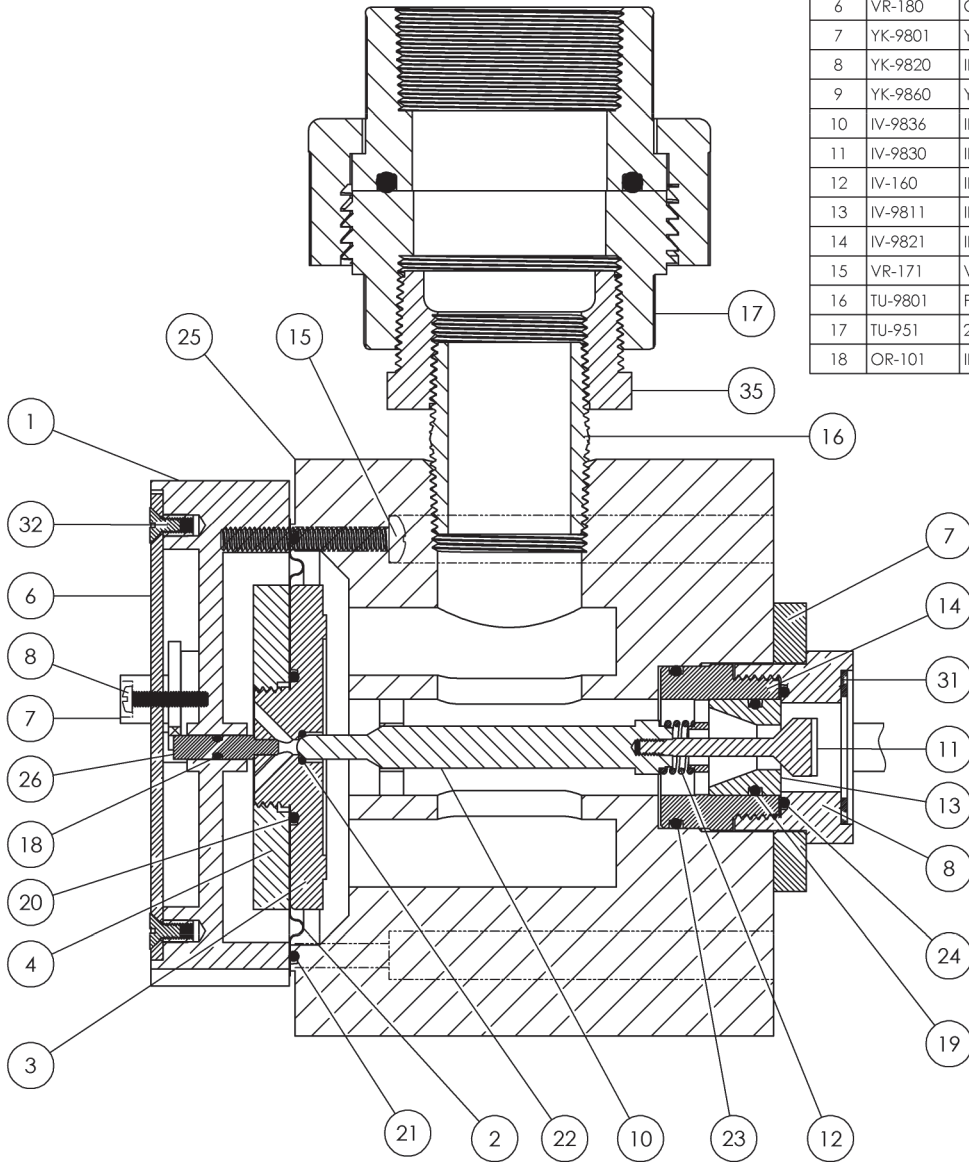
REVISION DATE: 2/28/2017

SCALE: 1:5

SHEET 1 OF 2

ITEM NO.	PART NUM.	DESCRIPTION	QTY.
1	VR-120	VACUUM REGULATOR FRONT BODY	1
2	VR-130	VACUUM REGULATOR DIAPHRAGM	1
3	VR-140	DIAPHRAGM BACK PLATE	1
4	VR-150	DIAPHRAGM FRONT PLATE	1
7	VR-167	LOSS OF CL2 INDICATOR FLAG	1
6	VR-180	CHLORINATOR FACEPLATE	1
7	YK-9801	YOKE BODY BAR	1
8	YK-9820	INLET ADAPTOR	1
9	YK-9860	YOKE SCREW	1
10	IV-9836	INLET VALVE EXTENSION	1
11	IV-9830	INLET VALVE PLUG	1
12	IV-160	INLET SPRING	1
13	IV-9811	INLET VALVE SEAT	1
14	IV-9821	INLET ADAPTOR PLUG	1
15	VR-171	VAC. REGULATOR BODY BOLT	4
16	TU-9801	PVC PIPE NIPPLE	1
17	TU-951	2" NPT PVC UNION	1
18	OR-101	INDICATOR O-RING	1

ITEM NO.	PART NUM.	DESCRIPTION	QTY.
19	OR-105	INLET VALVE SEAT O-RING	1
20	OR-107	DIAPHRAGM PLATE O-RING	1
21	OR-108	DIAPHRAGM BODY O-RING	1
22	OR-110	VENT O-RING	1
23	OR-9806	INLET ADAPTOR PLUG OD O-RING	1
24	OR-9807	RATE VALVE SEAT/ADAPTOR FACE O-RING	1
25	VR-9810	BACK BODY, UP TO 10,000 PPD (250 KG/HR)	1
26	VR-160	INDICATOR PIN	1
27	YK-111	YOKE ROD BAR	1
28	YK-120	YOKE STUD	2
29	YK-110	YOKE JAM NUT	2
30	YK-9832	YOKE SLIDE BAR	1
31	GK-9850	LEAD GASKET	1
32	VR-185	FACEPLATE SCREW	2
33	VR-169	LOSS OF CL2 INDICATOR SCREW	1
34	VR-9870	VAC. REGULATOR BODY/YOKE BOLT	2
35	TU-9806	PVC PIPE BUSHING	1



**SUPERIOR**  
WATER SOLUTIONS

**CIT**  
CHEMICAL INJECTION TECHNOLOGIES INC.

**PROPRIETARY AND CONFIDENTIAL**

THE INFORMATION CONTAINED IN THIS DRAWING IS THE SOLE PROPERTY OF CHEMICAL INJECTION TECHNOLOGIES INC. ANY REPRODUCTION IN PART OR AS A WHOLE WITHOUT THE WRITTEN PERMISSION OF CHEMICAL INJECTION TECHNOLOGIES INC. IS PROHIBITED.

**VR-80/100**

VACUUM REGULATOR - 8000/10000 PPD [160/200 KG/HR]

REVISION: 1

REVISION DATE: 2/28/2017

SCALE: 1:2

SHEET 2 OF 2