

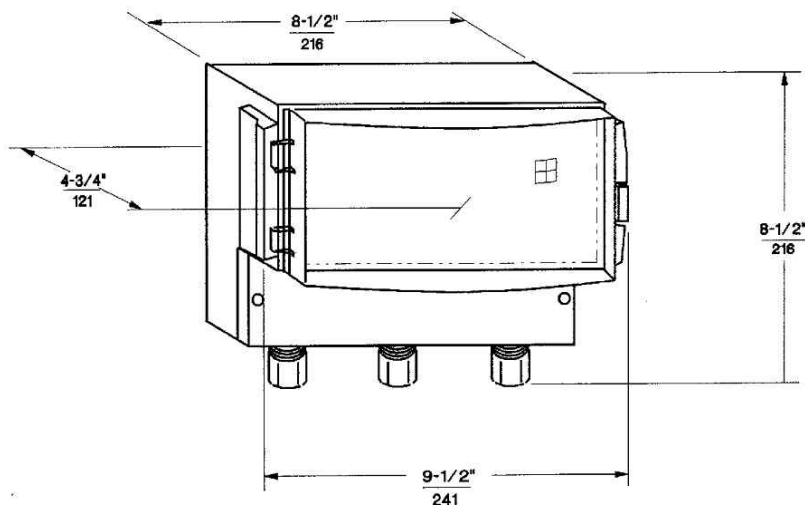


# Chemical Injection Technologies

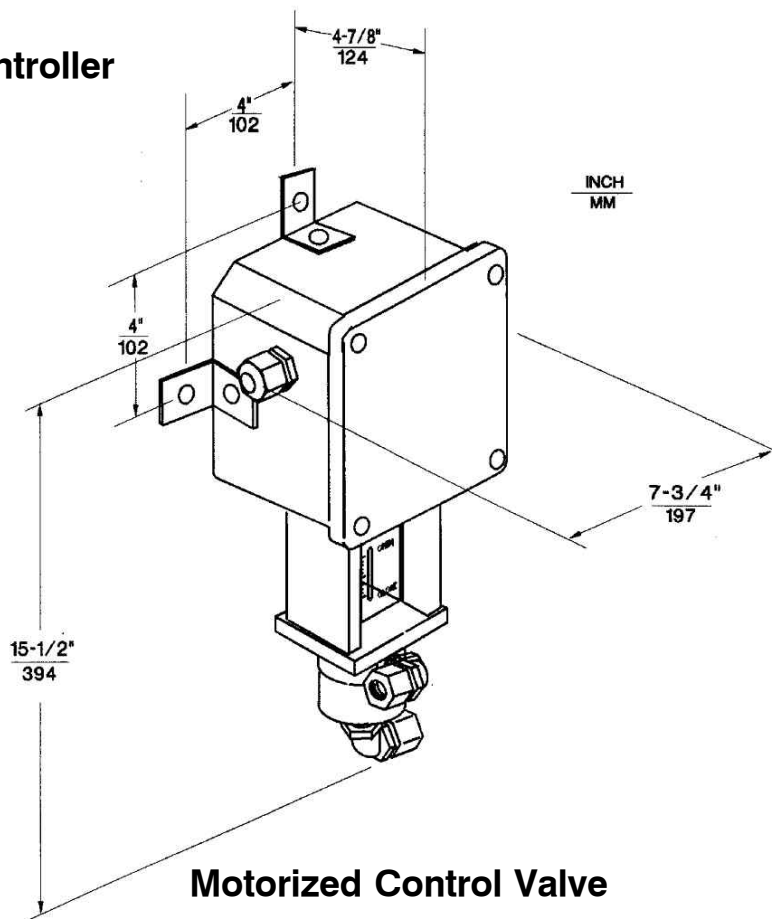
## Engineering/Data Bulletin

### SUPERIOR AutoValve Series 2000

### Outline Dimensions



**Autovalve Controller**



**Motorized Control Valve**