

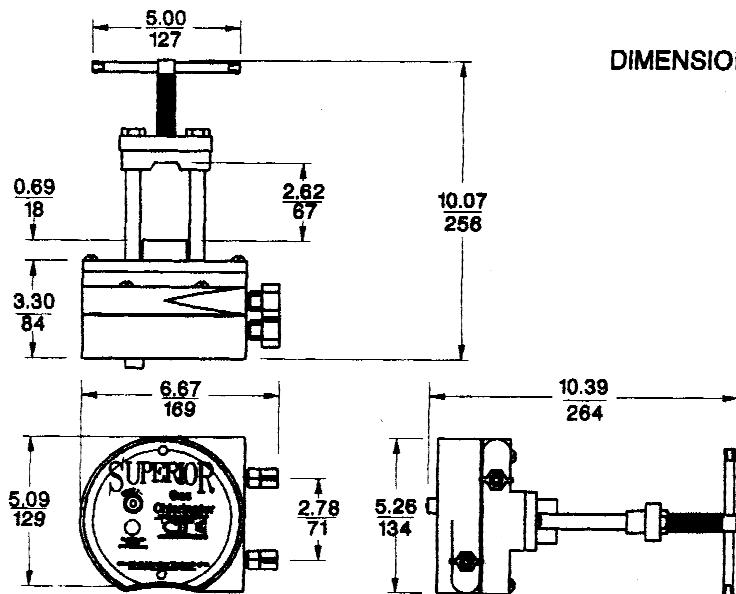


Chemical Injection Technologies

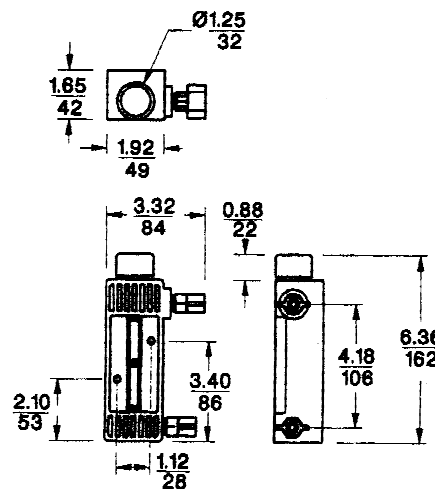
Engineering/Data Bulletin

SUPERIOR Gas Chlorinator Assemblies Dimension Sheet

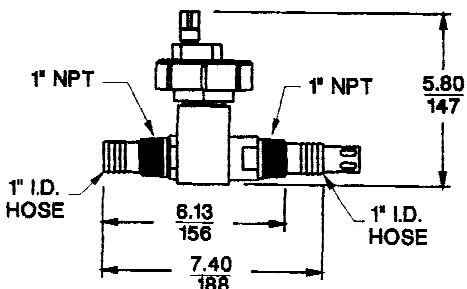
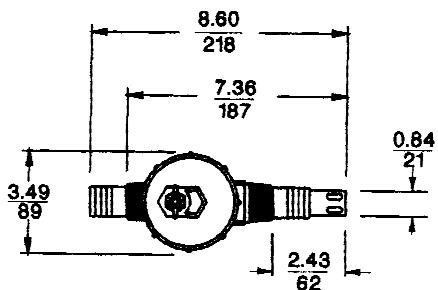
DIMENSIONS: INCHES
MILLIMETERS



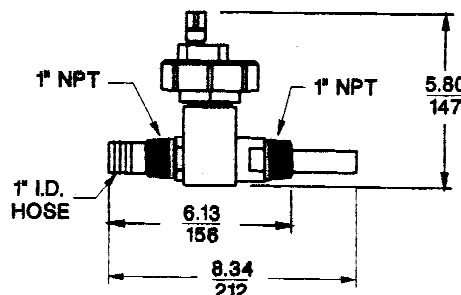
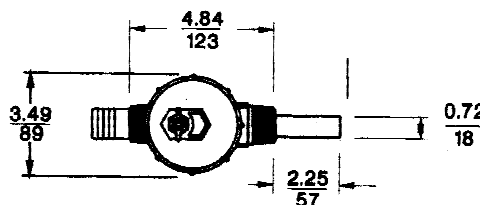
VACUUM REGULATOR UP TO 500 PPD (10 KG/HR)
MODELS VR-1, VR-2, VR-5



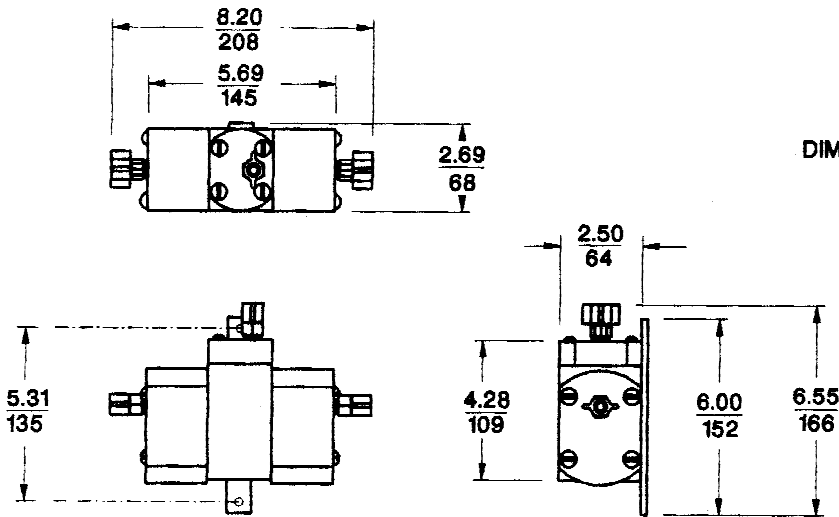
REMOTE METER PANEL
UP TO 500 PPD (10 KG/HR)
MODELS RM-1, RM-2, RM-5



EJECTOR UP TO 200 PPD (5 KG/HR)
MODELS EJ-1, EJ-2

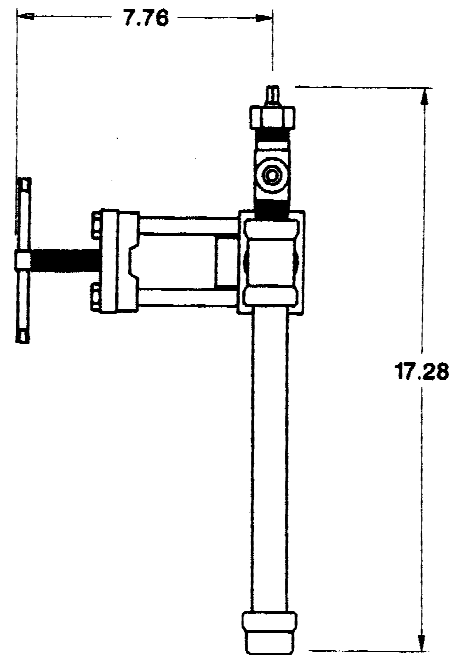
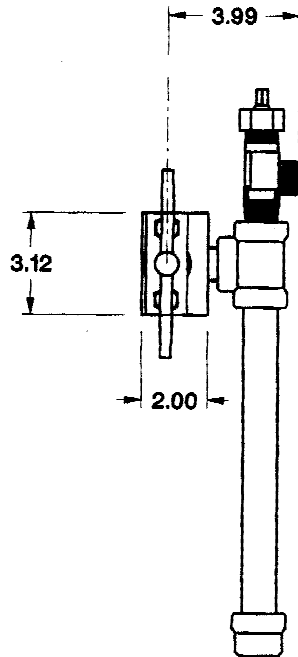
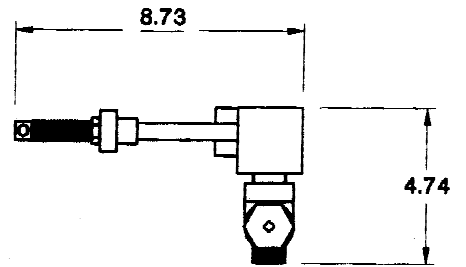


EJECTOR 500 PPD (10 KG/HR)
MODEL EJ-5



DIMENSIONS: INCHES
MILLIMETERS

AUTOMATIC SWITCHOVER MODULE UP TO 500 PPD (10 KG/HR)
MODELS SO-1, SO-2, SO-5



TON CONTAINER ADAPTOR