
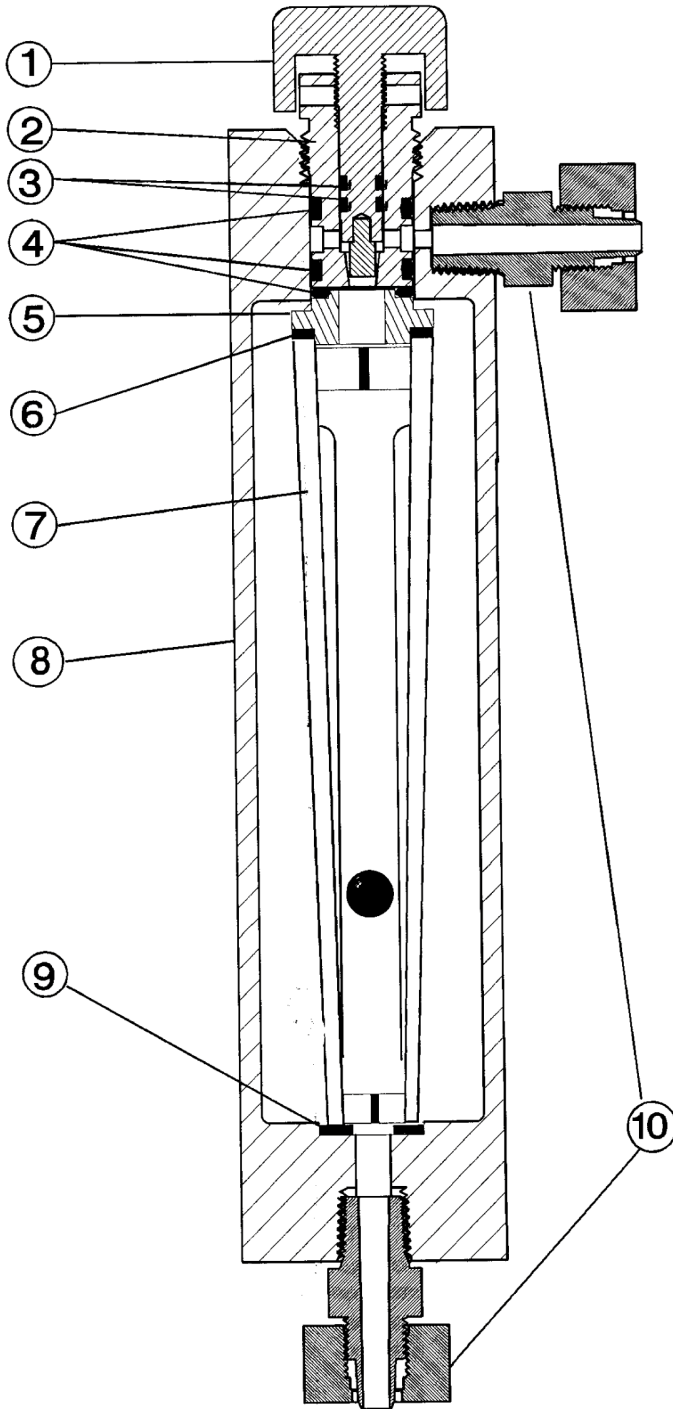



REF NO.	QTY	DESCRIPTION	PART NO.
1	1	VALVE PLUG ASMBLY 200 PPD (5 KGR/HR)	RV-240
2	1	RATE VALVE SEAT 200 PPD (5 KG/HR)	RV-231
3	2	RATE VALVE STEM O-RING	OR-102
4	2	RATE VALVE SEAT/ADAPTOR FACE O-RING	OR-103
5	2	METERING TUBE GASKET	GK-500
6	1	METERING TUBE ASSEMBLY - GLASS FLOAT	MT-206G
7	1	6" METER BODY 200 PPD (5 KG/HR)	RM-201G
8	2	1/2" TUBE FITTING 200 PPD (5 KG.HR)	TU-250

	CHEMICAL INJECTION TECHNOLOGIES	
	6" REM. MTR. PANEL PARTS LIST 200 PPD (5 KG/HR)- W/ GLASS FLOAT	
BY: HPS	DATE: 17 JUN '11	
SCALE: NTS	DWG NO: RM-62G	

RM-62G Rev1-17062011



REF NO.	QTY	DESCRIPTION	PART NO.
1	1	VALVE PLUG ASMBLY 500 PPD (10 KGR/HR)	RV-540
2	1	RATE VALVE SEAT 500 PPD (10 KG/HR)	RV-530
3	2	RATE VALVE STEM O-RING	OR-102
4	3	RATE VALVE SEAT/ADAPTOR FACE O-RING	OR-103
5	1	METERING TUBE SPACER	MT-101
6	1	UPPER METERING TUBE GASKET	GK-502
7	1	METERING TUBE ASSEMBLY - GLASS FLOAT	MT-506G
8	1	6" METER BODY 500 PPD (10 KG/HR)	RM-501G
9	1	LOWER METERING TUBE GASKET	GK-503
10	2	5/8" TUBE FITTING 500 PPD (10 KG.HR)	TU-550

	CHEMICAL INJECTION TECHNOLOGIES
	6" REM. MTR. PANEL PARTS LIST 500 PPD (10 KG/HR)- W/ GLASS FLOAT
BY: HPS	DATE: 17 JUN '11
SCALE: NTS	DWG NO:RM-65G
<small>RM-65G Rev1-17062011</small>	